

CHEMICAL PUMPS SINCE 1992



GENERAL
CATALOGUE

2025 | 2026

arnek
GemmeCotti Group

GemmeCotti[®]
EUROPEAN PUMPS

www.gemmecotti.com

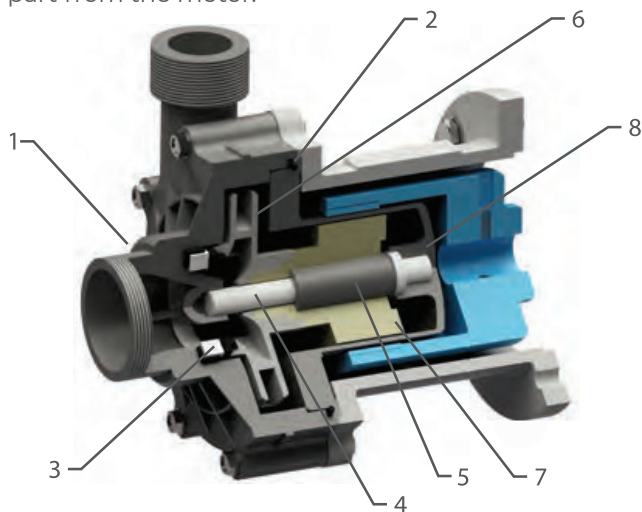


MAG-DRIVE CENTRIFUGAL PUMPS

SEAL-LESS MAG DRIVE CENTRIFUGAL PUMPS

In seal-less magnetic drive centrifugal pumps, the external magnet is directly connected to the motor shaft and it transmits the torque to the internal magnet.

The magnetic field created produces a rotation without physical contact between the parts so the impeller spins and moves the fluid. The rear casing is placed between the two magnet joints and it hermetically closes the hydraulic part from the motor.



GemmeCotti can supply four different models of mag drive centrifugal pumps:

HTM PP/PVDF

- Thermoplastic pumps made of PP or PVDF.
- Capacity up to 130 m³/h.
- Head up to 48 mlc.
- Injection molded parts.

HTM SP PP/PVDF

- Self-priming pumps made of PP or PVDF.
- Capacity up to 25 m³/h.
- Head up to 22 mlc.

HCM PP/PVDF

- Thermoplastic pumps made of PP or PVDF.
- Capacity up to 130 m³/h.
- Head up to 48 mlc.
- Pump head machined from a block.

HTM SS 316

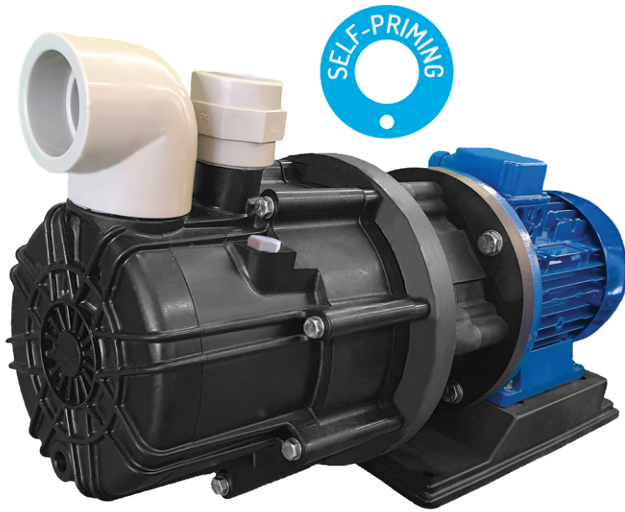
- Metallic pumps made of stainless steel AISI 316.
- Capacity up to 32 m³/h.
- Head up to 24 mlc.

MATERIALS IN CONTACT WITH THE LIQUID

PART NUMBER - DESCRIPTION	CENTRIFUGAL PUMPS			
	HTM PP/PVDF	HTM SP	HCM	HTM SS 316
1 - PUMP HEAD	PP or PVDF	PP or PVDF	PP or PVDF	AISI 316
2 - O-RING	EPDM or VITON	EPDM or VITON	EPDM or VITON	EPDM or VITON
3 - CASING THRUST BUSH	CERAMIC Al ₂ O ₃ + EPDM or VITON	CERAMIC Al ₂ O ₃ + EPDM	CERAMIC Al ₂ O ₃ + EPDM or VITON	PTFEC
4 - SHAFT	CERAMIC Al ₂ O ₃ 99,7%	CERAMIC Al ₂ O ₃ 99,7%	CERAMIC Al ₂ O ₃ 99,7%	HASTELLOY-C 276
5 - BEARINGS	PTFEC	PTFEC	PTFEC	PTFEC
6 - IMPELLER	PP or PVDF	PP or PVDF	PP or PVDF	AISI 316
7 - INTERNAL MAGNET	PP or PVDF + NdFeB	PP or PVDF + NdFeB	PP or PVDF + NdFeB	AISI 316 + SmCo
8 - REAR CASING	PP or PVDF	PP or PVDF	PP or PVDF	AISI 316



THERMOPLASTIC SELF-PRIMING MAG-DRIVE CENTRIFUGAL PUMPS



HTM SP pumps combine the typical features of our mag drive centrifugal pumps with the self-priming capability. **At sea level** these pumps **can prime up to 6 meters**. HTM SP pumps are made of **Polypropylene (PP)**, a thermoplastic material that ensures the best resistance to most chemicals. Thanks to the **innovative seal-less magnetic drive system**, the pump model HTM SP guarantees the maximum safety and efficiency, **reducing the risks of leakage and emissions in the environment and the maintenance costs**. The pumped liquid has to be clean, without solids in suspension.

MAIN FEATURES

- **Materials available:** PP / PVDF.
- **Materials in contact with the liquid:** Pump housing: PP or PVDF; Impeller: PP or PVDF; O-ring: EPDM (standard for PP pumps) / VITON (standard for PVDF pumps); Static shaft: ceramic Al₂O₃ 99.7%; Bearing: PTFEC.
- **Capacity** up to 25 m³/h.
- **Head** up to 22 m.
- **Max Temperature:** PP: 70°C - PVDF: 90°C.
- **Max viscosity:** 20 cSt.
- **Pressure rating:** NP 6 at 20°C.
- Self-priming up to 6m at sea level.
- Suction connection available in 3 welded configurations (frontal, on the right and on the left).

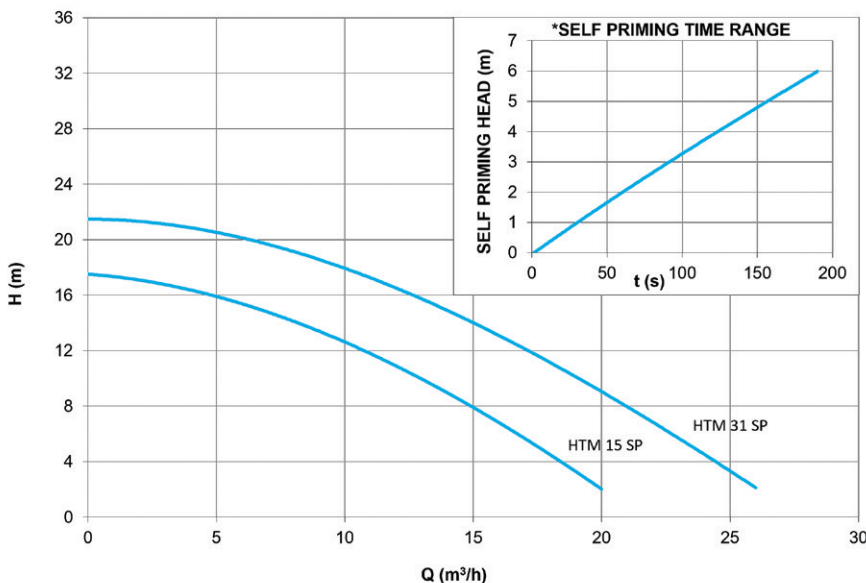
STANDARD

- BSP threaded In and Out connections.
- Direct starting motor.

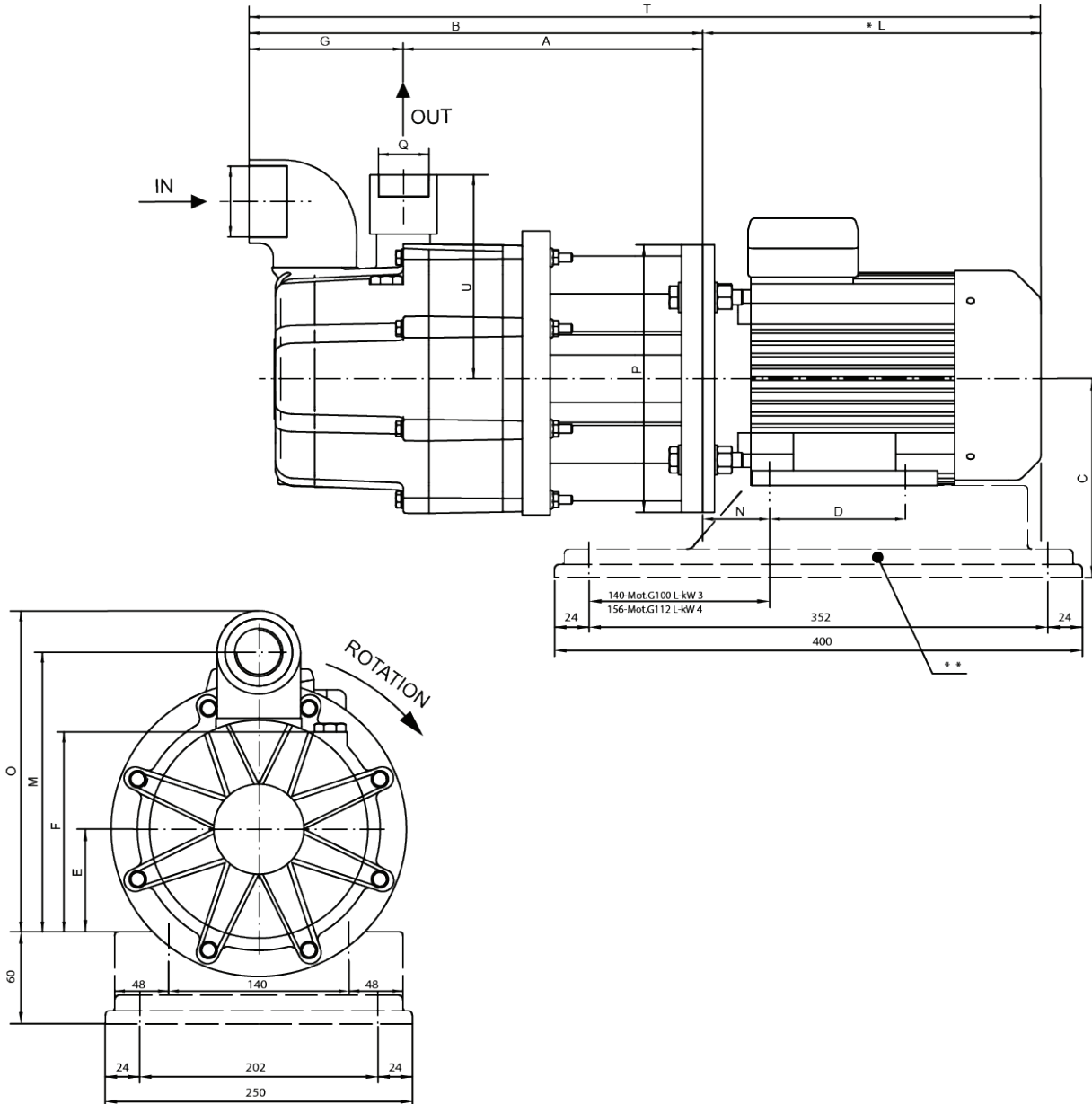
OPTIONAL

- Baseplate.
- Available in ATEX version for zone 2 II 3G (mod. EM-C SP PP/PVDF).

PERFORMANCE CURVES 50Hz - 2900 RPM



HTM 31 SP



DIMENSIONS - mm -

PUMP TYPE	MOTOR FLANGE B3/B5	kW	A	B	C	D	E	F	G	I	L	M	N	O	P	Q	T	U
HTM 31 SP	100 L	3	280.5	425	160	140	100	191	144.5	1" 1/2 FEMALE	317	265.5	63	304.5	250	1" FEMALE	742	190.5
HTM 31 SP	112 M	4	280.5	425	160	140	100	191	144.5	1" 1/2 FEMALE	317	265.5	63	304.5	250	1" FEMALE	742	190.5

* Different according to the manufacturer ** OPTIONAL UPON REQUEST: Baseplates.



GEMMECOTTI SRL

Via Po 23-25-27
20031 Cesate MILANO | ITALY
EUROPEAN UNION

Ph: +39 02.96460406
info@gemmecotti.com



www.gemmecotti.com

